

Wall Mount instructions For Thor's Hammer – (76209)

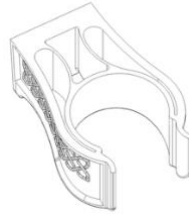
Contents:

- A. Clip Mount Plate
- B. Clip Mount
- C. Minifig platform
- D. Mini Plate holder
- E. Command strip
- F. Wall fixing (x1) (4-5mm diameter)
- G. Wall Plug (x1)

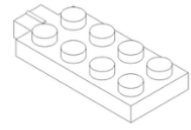
A



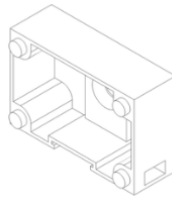
B



C



D



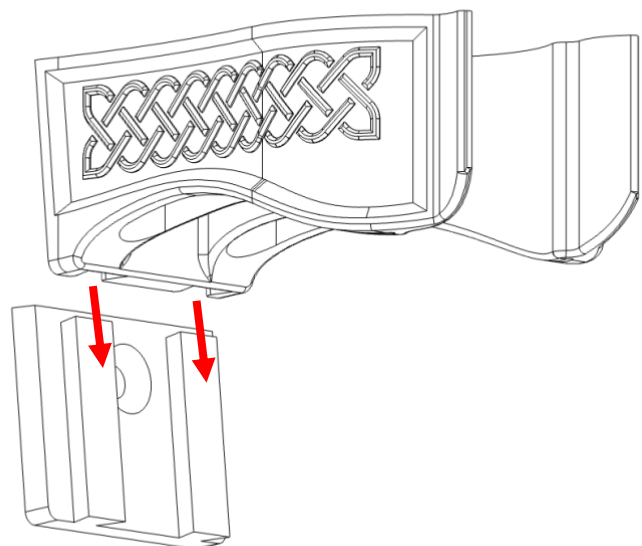
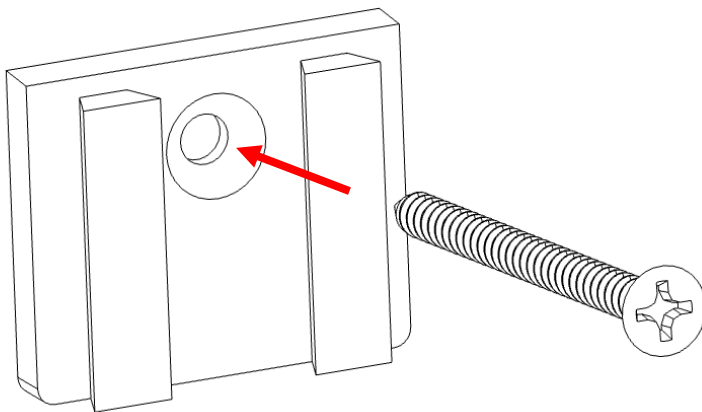
E



F

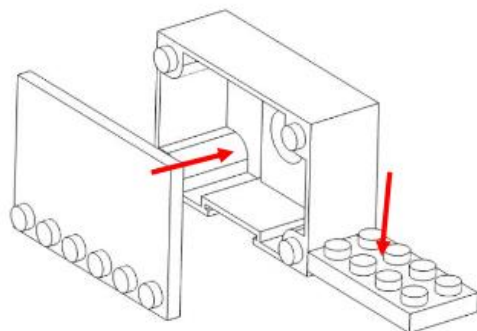
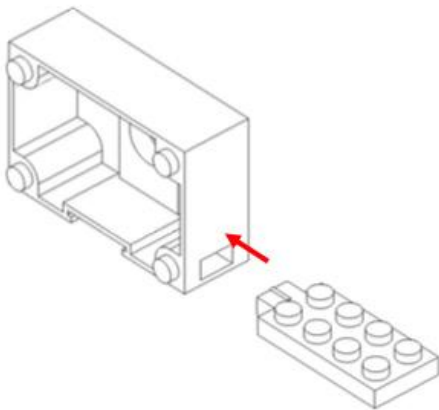
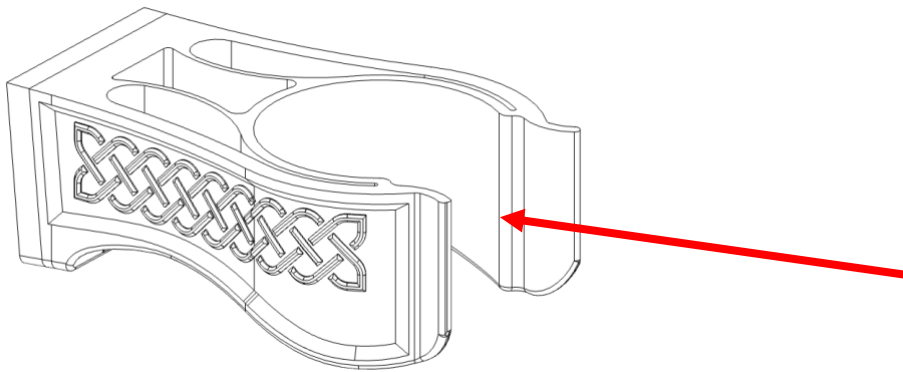


G



Wall Mount instructions For Thor's Hammer – (76209)

Push the hammer's handle stem into the clip.
The underside of the hammer should rest on the
top of the mount.



Fit the info card and minifigure to the mount and
secure using a small 3M command strip or wall
screw